

COMPACT ELECTRIC FENCE ENERGIZER



■ **DL 3200** ■ **DL 4500** ■ **DL 7200**
SKU: 0237 SKU: 0238 SKU: 0239

User manual
Certificate of warranty

English

Manuale d'uso
Certificato di garanzia

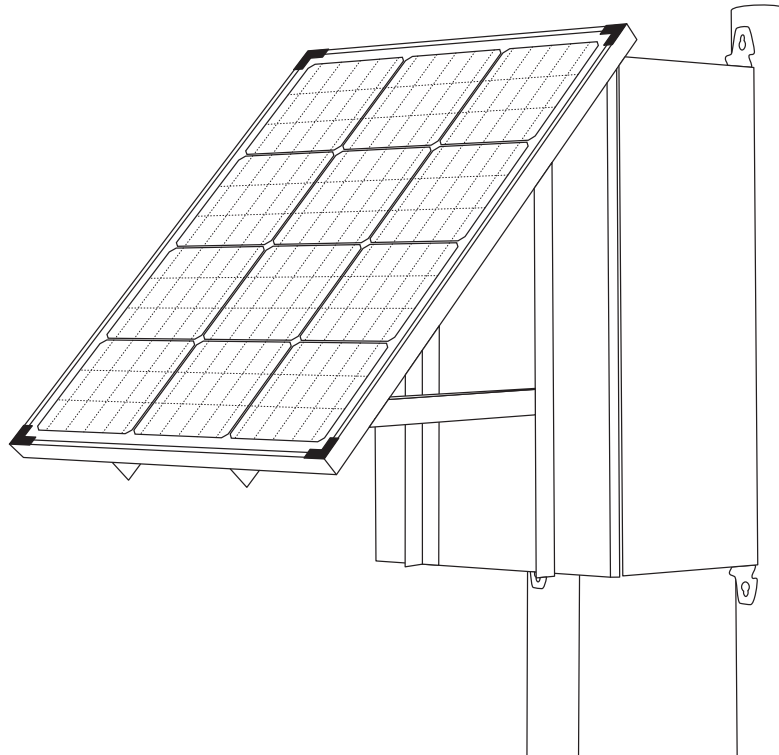
Italiano

Manual de utilizare
Certificat de garanție

Română

Használati utasítás
Jótállási bizonylat

Magyar



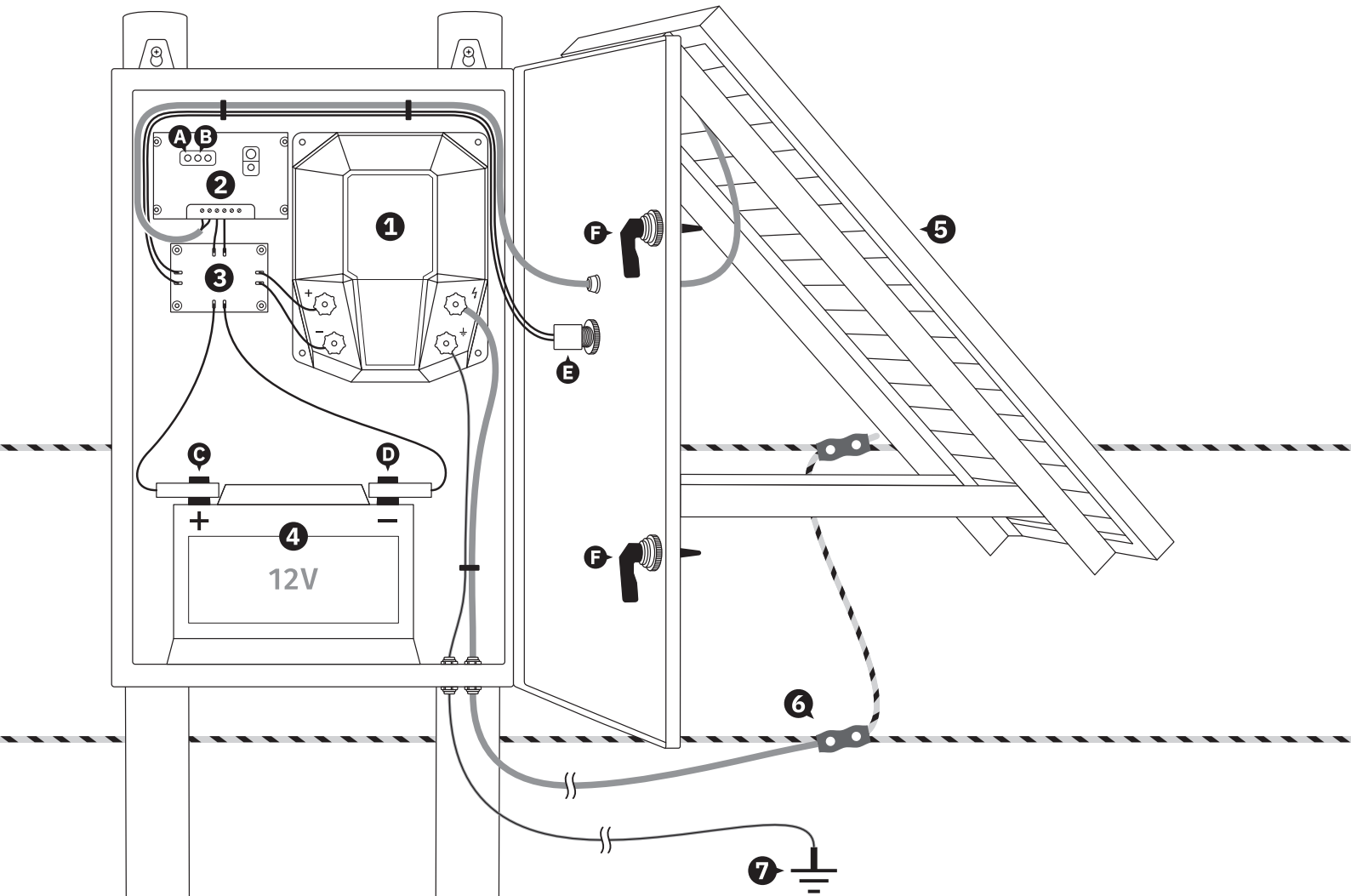


Fig. A

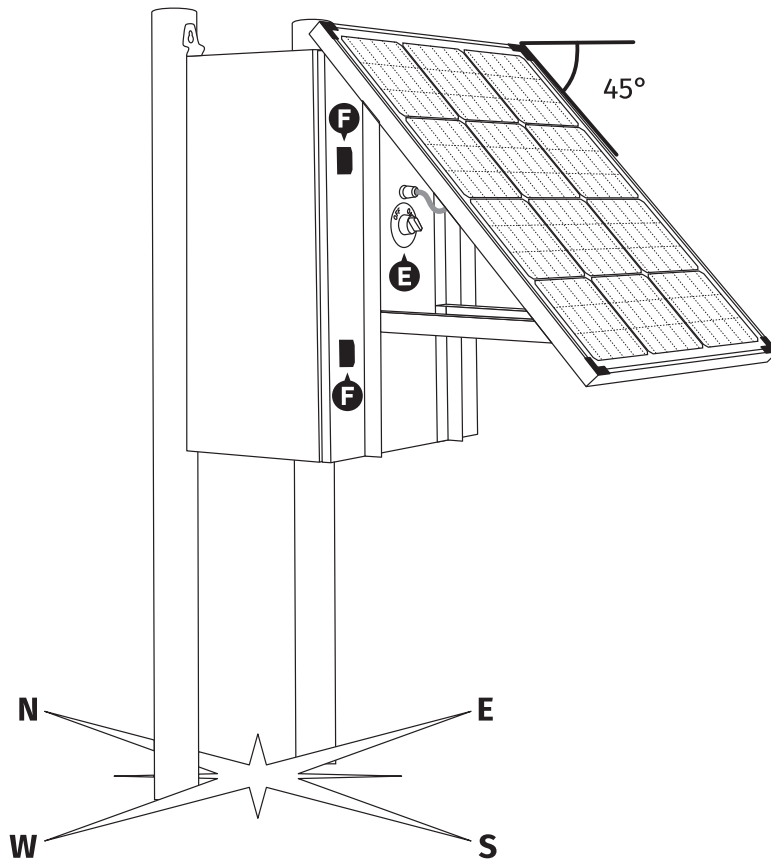
- 1** – Electric fence energizer
- 2** – Charge controller
- 3** – Over-voltage protection
- 4** – 12 V accumulator
- 5** – Solar panel
- 6** – Electric fence connection
- 7** – Ground connection
- A** – Charge indicator
- B** – Charge level indicator
- C** – Accumulator +
- D** – Accumulator -
- E** – Energizer ON/OFF
- F** – Locking handles

Note:

Please refer to these figures when reading the instructions on your language.

Fig. B

Recommended mounting of the solar panel.
Tilt in 45° and orient toward south.



Compact electric fence energizer

DL 3200 – DL 4500 – DL 7200

The compact electric fence device is a convenient and safe solution for electrifying *temporary* or *permanent* electric fences in areas where there is no access to the 230 V mains.

The system can operate autonomously even for years, it only requires minor interventions, such as checks on the proper functioning of the accumulator, regular cleaning of the solar panel and maintenance of the electric fence.

The system is completely assembled in a metal box and contains all necessary elements to operate independently of the 230 V mains. Benefits:

- Robust, moisture-resistant metal box (rain, snow, water splashes). The box can be locked.
- The closed box is sealed well. It effectively prevents the penetration of insects and small animals that can damage the electrical equipment by creating short circuits.
- On the outside, hidden under the solar panel, the system is equipped with a switch, through which the electric fence energizer can be easily turned on/off, without the need to open the box.
- The accumulator is continuously recharged by the solar panel.
- Over-voltage protection – When the accumulator is accidentally disconnected, in full sunlight, the voltage generated by the solar panel may increase greatly, which can damage the electric fence energizer device. The system includes an additional electronic circuit that protects against this situation.
- Moving the whole system (in order to move the temporary electric fence) is very easy, reassembly in another place is very simple.

Specifications

Device code	DL 3200	DL 4500	DL 7200
Supply voltage		12 V ---	
Consumption	110 mA	170 mA	300 mA
Max. voltage at 500 Ω load	7600 V	8900 V	9700 V
Maximum practical fence length	7000 m	12000 m	25000 m
Maximum stored energy	4,16 J	5,85 J	9,36 J
Maximum impulse energy	3,2 J	4,5 J	7,2 J
Degree of protection		IPX4	
Weight	23,6 kg	23,8 kg	25,65 kg

Elements of the system

The elements of the system can be identified on the Figure A. as follows:

① – Electric fence energizer, ② – Charge controller, ③ – Over-voltage protection, ④ – 12 V accumulator (not included), ⑤ – Solar panel, ⑥ – Electric fence connection cable, ⑦ – Ground connection cable, ⑧ – Charge indicator, ⑨ – Charge level indicator, ⑩ – Accumulator positive pole clamp, ⑪ – Accumulator negative pole clamp, ⑫ – Energizer on/off switch ⑬ – Locking handles.

Installation

The box should be mounted in a place free of shadows, near the electric fence, on two wooden poles, so that the solar panel ⑤ is facing toward south. After mounting, open the solar panel and fix it tilted at 45 degrees, using the included screws. Create the ground nearby, connect the ground wire ⑦, then connect the blue wire ⑥ to the electric fence through a connector.

The grounding ⑦

For proper operation, the system needs a good grounding – when touching the fence wires the electrical circuit closes through the ground, therefore the quality of the ground is as important as the

quality of the all other components of the fence. For grounding, use a galvanized metal rod with a length of at least 1 m (attention it is not included in the package), which has to be driven into the ground at least 1 m deep. An M12 threaded metal rod is ideal for this purpose, as the ground cable ⑦ can be easily connected to this.

In the case of long electric fences (over a few kilometers), or if the soil is mostly dry, create several interconnected grounds, located a few meters away of each other, to improve the efficiency of the electric fence.

Under no circumstances connect the ground of the system to an existing grounding – for example to the ground of the 230 V mains. You must create a separate grounding in the immediate vicinity of the system.

The accumulator ④

Use a 12 V accumulator (lead-acid or gel) to store the energy ④. Attention, the accumulator is not included in the package! Do not use other types of accumulators, such as Ni-MH or Li-ion!

Use an accumulator having a capacity of **at least 45 Ah**. The maximum capacity is determined by the size that fits in the metal box.

The accumulator should be connected by the clamps ③ and ①.

- Red clamp = positive (+) pole of the accumulator.
- Black clamp = negative (–) pole of the accumulator.

Starting the system

Before all, check the position of the on/off ⑤ switch. It has to be in OFF position.

In the first step connect the accumulator by the clamps ③ and ①. Caution: do not allow the power cords to touch the high voltage output ⚡ of the electric fence energizer ① under any circumstances!

In the second step, check the lights on the charge controller to determine the correct operation of the system (study the chapter named "The charge controller" below). Both LED lamps ④ and ⑤ must be continuously green.

In the last step start the electric fence energizer by moving the ⑤ switch to the ON position.

The operation of the device can be tracked by sound: you should hear electric discharge sounds approximately every second.

Stopping the system

To turn off the energizer device, move the switch ⑤ to the OFF position.

To turn off the system completely, it is not enough to move the switch ⑤ to the OFF position, because the solar panel continuously generates electricity, which leaves in operation all the electronic circuits inside the box.

To move or store the system, follow the steps below:

- Make sure the switch ⑤ is in OFF position.
- Cover the solar panel with a light-blocking material (cardboard, black nylon bag) to stop generating electricity.
- Disconnect the accumulator, then remove it from the metal box to prevent breaking the electronic circuits and the corrosion caused by acid leakage from the accumulator.

The charge controller ②

The charge controller ensures the stabilization of the variable voltage produced by the solar panel, protects against reverse polarity and controls the correct charging of the accumulator.

The controller has two important LED indicator ④ and ⑤ which show important information regarding the state of the accumulator:

④ Charging indicator

- Off – No charging.
- Continuous green – Charging.
- Slow flashing green – Maintaining the charged state of the accumulator.
- Fast flashing green – Maintenance mode of the accumulator (buck charge, desulfation).

① | Normally this light has to be continuously green.

③ Charge level indicator

- Flashing green — Maximum charge level.
- Continuous green — Normal charge level.
- Continuous orange — Low charge level.
- Continuous red — Very low charge level.
- Flashing red — Accumulator depleted.

ⓘ Normally this light has to be continuously green.
When the color turns into orange or red, switch off the lights, disconnect the consumers for a while to allow the efficient recharge of the accumulator.

The electric fence energizer ①

The electric fence energizer generates short, high voltage electrical pulses with a period of approximately one second. These pulses are conducted into the wires of the electric fence. When an animal touches the fence wire, the electrical circuit closes through the ground. The suffered shock is not dangerous, but it has an extremely unpleasant effect, the animals that touch the wires of the electric fence, will learn very quickly to stay away.

The electric fence energizer has to be connected to the fence via the blue cable. This cable has a special insulation, so it can touch the box, the posts, trees, etc., it can even be touched with bare hands without electrocution (of course the bare end of the cable is an exception). This cable has to be connected (with a connector) to one of the wires of the electric fence (since the rows of wires of the electric fence must be bridged at distances of at least 100 meters, the high voltage pulses will reach each row of wires). It is recommended to bridge the fence wires right where the blue cable is connected.

⚠ Avoid altering the electrical connections while the energizer device operates, especially with the blue cable left bare! If a high voltage pulse touches a nearby electronic circuit, it destroys instantly! This also applies to other electronic devices, such as mobile phones, electronic watches, cameras, etc. – carefully avoid bringing these devices close to the electric fence device, the pulse output, or even to the wires of the electric fence!

LEDs on the device:

- Left – The device is under operation.
- Right – Normally off, it turns on in red if the supply voltage drops below 10.5 V (discharged accumulator). This situation is also indicated by the charge controller ② via the LED ③ (in this case, switch off the device to allow the effective recharging of the accumulator, or consider replacing it with a charged one).

Maintenance and inspection

Although the system may operate autonomously for months, or even years, you will need regular inspection and maintenance to avoid unpleasant surprises (such as escaped animals) due to a discharged accumulator, or unwanted short circuits of the fence wires, caused by vegetation.

Periodically clean the surface of the solar panel with a damp cloth! Dust deposits, leaves, significantly reduce its efficiency, which can cause rapid discharge of the accumulator.

Avoid discharging the accumulator at night or in mostly cloudy weather by regularly monitoring the indicator lights ④ and ⑤ on the charge controller ②. If the color of the LED ③ changes to orange or red, temporarily turn off the energizer device to allow recharging the accumulator. Optionally, the accumulator can be replaced with a spare one to prevent the interruption of the system.

Check the entire fence frequently and eliminate the growing vegetation that touches the wires. Short circuits caused by vegetation significantly reduce the efficiency of the electric fence.

For an efficient operation of the electric fence, the voltage in the wires must be at least 2000 V. Measuring the voltage is possible only with a special measuring instrument (called an electric fence tester). We strongly recommend to purchase such a tester. DO NOT use digital or analog measuring devices, these will be destroyed instantly on contact with the high voltage!

Warranty

Thank you for choosing this compact electric fence energizer! We offer a warranty of **24 months**, starting with the date on the invoice. During this period we will fix or replace the defective elements for free, but only when the warranty conditions below are fulfilled.

In the event of any defect during the warranty period please contact us by e-mail at **office@agroelectro.ro**, or by phone at **+40 724 776 515** for the possible remediation the problem, or to discuss the shipping details of the defective components.

The average usage duration of the products is five years. For this period, the buyer benefits, for a fee, of post-warranty service, with original parts.

The warranty conditions are regulated by the Romanian law and our company's business policies, based on the following laws and emergency government decrees: O.G. 21/1992, based on the 449/2003 law, modified by O.U.G. 174/2008, O.U.G. 34/2014 and by O.G. 9/2016. The consumer rights are not affected in any way by the provided warranty.

1. Conditions

1. To validate the warranty, the buyer must provide this Certificate of Warranty and a proof of the purchase – invoice/receipt.
2. The warranty period begins on the date written on the invoice.
3. The warranty period is extended by the fixing period of the product, from the date of delivery for repair to the date of restoration and written notification to the consumer. The extension of the warranty period will be written in this Certificate of Warranty.
4. The shipping costs of returning/receiving back the product (round trip) must be paid by the buyer. The shipment will be made by an express courier.
5. The seller is not responsible for damages caused by natural phenomena (lightning, floods, earthquakes, humidity), fires, negligence in operation, mechanical damages, etc.
6. Damages such as scratches or breakage of removable or non-removable parts of the product, that were not reported to the seller at the time of purchase, are not covered by the warranty.
7. Damages caused during the return shipment of the product, due to improper packaging, falls to the responsibility of the buyer.

2. Loosing the warranty

The product warranty is granted only if the products are used properly, as intended, and also certain administrative conditions are met. The product warranty is lost in the following cases:

1. The present Certificate of Warranty cannot be provided, along with the invoice/receipt of the purchase.
2. The product was not used properly:
 - Improper or erroneous electrical connections.
 - Incorrect supply voltage.
 - The electronic circuits were altered.
3. Mechanical damage caused by accidents, shocks, vibrations, or other forms of physical abuse.
4. Thermal damage due to fire or other heat-related natural disasters.
5. Use of the product in unsuitable environmental conditions – actions of chemical materials, noxious substances, smoke, extreme dust or moisture. Product damage caused by bad weather.
6. Modification or unsealing of the product by unqualified or unauthorized persons or companies. The improper repairs of the product can affect its safety and may cause irreparable damage. In order to avoid these situations, we recommend to you carry out any repairs exclusively at Agro Electrosistems SRL.
7. The finding of the fact (by the specialists of the company Agro Electrosistems SRL) that the claimed defect is due to the fault of the buyer.

Elettrificatore recinto elettrico compatto

DL 3200 – DL 4500 – DL 7200

L'elettrificatore del recinto elettrico compatto è una soluzione comoda e sicura per l'elettrificazione di recinzioni elettriche *temporanee* o *permanenti* in aree in cui non vi è accesso alla rete a 230 V.

L'impianto può funzionare autonomamente anche per anni, richiede interventi minori come controlli relativi al corretto funzionamento dell'accumulatore, pulizia periodica del pannello solare e manutenzione del percorso del recinto elettrica.

Il sistema è completamente assemblato in una scatola metallica e contiene tutti gli elementi necessari per funzionare indipendentemente dalla rete elettrica a 230 V. Benefici:

- Scatola robusta di metallo, resistente all'umidità (pioggia, neve, spruzzi d'acqua). La scatola si può chiudere.
- La scatola chiusa è relativamente ermetica, previene efficacemente la penetrazione di insetti e piccoli animali che possono danneggiare gli apparecchi elettrici da cortocircuiti.
- All'esterno, il sistema è dotato di un interruttore, nascosto sotto il pannello solare, attraverso il quale il recinto elettrico può essere facilmente acceso/spento senza la necessità di aprire la scatola.
- La ricarica dell'accumulatore è assicurata continuante dal pannello solare.
- Protezione contro le sovratensioni – lo scollegamento accidentale dell' accumulatore in pieno sole può causare la crescita della tensione generata dal pannello solare, che può danneggiare il dispositivo del recinto elettrico. La scatola include un circuito elettronico aggiuntivo che protegge da questo incidente.
- Spostare il sistema (allo scopo di spostare la recinzione elettrica temporanea) è molto semplice, il riassetto in un altro luogo è molto semplice.

Specifiche tecniche

Tipo dispositivo	DL 3200	DL 4500	DL 7200
Tensione di alimentazione		12 V $\overline{---}$	
Consumo	110 mA	170 mA	300 mA
Tensione massima a carico di 500 Ω	7600 V	8900 V	9700 V
Lunghezza massima recinzione pratica	7000 m	12000 m	25000 m
Energia massima immagazzinata	4,16 J	5,85 J	9,36 J
Energia massima dell'impulso	3,2 J	4,5 J	7,2 J
Grado di protezione		IPX4	
Peso	23,6 kg	23,8 kg	25,65 kg

Elementi del sistema

Identificare gli elementi del sistema sulla Fig. A, nel modo seguente:

- ① – Elettrificatore per il recinto elettrico, ② – Regolatore di ricarica, ③ – Protezione sovratensione, ④ – Accumulatore (non incluso nel pacco), ⑤ – Pannello solare, ⑥ – Cavo connessione recinto elettrico, ⑦ – Cavo messa a terra, A – LED indicatore ricarica, B – LED indicatore livello ricarica, C – Morsetto polo positivo accumulatore, D – Morsetto polo negativo accumulatore, E – Commutatore acceso/spento elettrificatore, F – Serratura scatola metallica.

Montaggio

La scatola viene montata in un luogo lontano dall'ombra, vicino al recinto elettrico su due pali di legno in modo che il pannello solare ⑤ sia rivolto a sud. Dopo il montaggio aprire il pannello solare e fissarlo a 45 gradi con le viti in dotazione. Creare la messa a terra, legare il cavo di messa a terra ⑦ ad esso, dopo di che legare il cavo azzurro ⑥ ai fili del recinto elettrica attraverso un connettore.

Messa a terra ⑦

Per un corretto funzionamento, il sistema ha bisogno di una buona messa a terra – poiché quando si toccano i fili del recinto, il circuito elettrico si chiude attraverso la terra, la qualità della messa a terra è importante quanto la qualità dei componenti degli altri nel sistema! Per la messa a terra utilizzare una barra di metallo zincata con una

lunghezza di almeno 1 m (attenzione, non inclusa nella confezione), che si inserisce nella terra. Una barra metallica filettata M12 è ideale per questo scopo, poiché il cavo di messa a terra ⑦ del sistema può essere facilmente collegato.

Nel caso di lunghe recinzioni elettriche (oltre qualche chilometro), o se il terreno è per lo più asciutto, creare più messa a terra interconnesse, poste a pochi metri l'una dall'altra, al fine di migliorare l'efficienza del recinto elettrica.

Non collegare in nessun caso la messa a terra del sistema a una messa a terra esistente, ad esempio alla messa a terra della rete elettrica a 230 V. È obbligatorio creare una messa a terra locale nelle immediate vicinanze del sistema.

L'accumulatore ④

Per l'accumulo di energia utilizzare un accumulatore da 12 V (accumulatore auto tipo acido o gel) ④. Attenzione, l'accumulatore non è incluso nel pacchetto! Non utilizzare batterie Ni-MH o Li-ion!

Utilizzare un accumulatore con una capacità di almeno 45 Ah. La capacità massima è determinata dalla dimensione che si adatta alla scatola metallica del sistema.

L'accumulatore è collegato con i morsetti ③ e ②.

- Morsetto rosso = terminale positivo (+) dell'accumulatore.
- Morsetto nero = terminale negativo (−) dell'accumulatore.

Avvio del sistema

Controllare innanzitutto la posizione dell'interruttore on/off ⑤. Deve essere in posizione OFF.

Passo 1: collegare l'accumulatore attraverso i morsetti ③ e ②. Attenzione: in nessun caso i cavi di alimentazione toccano l'uscita ad alta tensione ⑦ dell'elettrificatore di recinto elettrico ①!

Passo 2: controllare le spie del regolatore per lo stato di carica dell'accumulatore (vedere "Il regolatore di carica" sotto). Entrambi i LED ① e ② devono brillare verde continuamente.

Passo 3: Accendere l'elettrificatore del recinto elettrici spostando l'interruttore ⑤ in posizione ON. Il funzionamento del dispositivo

può essere rintracciato dal suono: dovrete sentire i suoni di scarica elettrica circa ogni secondo.

L'arresto del sistema

Per spegnere il generatore di impulsi (l'elettrificatore di recinto elettrico) spostare l'interruttore ⑤ in posizione OFF.

Per spegnere del tutto il sistema, non è sufficiente spostare l'interruttore ⑤ in posizione OFF, perché il pannello solare genera continuamente elettricità, che lascia in funzione tutti i circuiti elettronici all'interno della scatola.

Per spostare o depositare il sistema, seguire i passaggi riportati di seguito:

- Assicurarsi che la posizione dell'interruttore (E) si trovi a OFF.
- Coprire il pannello solare con un materiale che blocca efficacemente la luce (cartone, sacchetto di nylon nero), per fermare la produzione di energia elettrica.
- Scollegare l'accumulatore, quindi rimuoverla dalla scatola metallica per evitare la rovina dei circuiti elettronici e la corrosione causata dall'acido che scorre dall'accumulatore.

Il regolatore di carica ②

Il regolatore assicura la stabilizzazione della tensione variabile prodotta dal pannello solare, protegge contro l'inversione di polarità e controlla la corretta ricarica dell'accumulatore.

Il regolatore ha due importanti LED indicatori ① e ② che forniscono informazioni sullo stato dell'accumulatore:

① indicatore di carico

- Spento – non carica.
- Verde, continuo – Ricarica dell'accumulatore.
- Verde lampeggiante lento – Mantenere l'accumulatore in uno stato di carica.
- Verde lampeggiante veloce – Desolfatazione (ricondizionamento) dell'accumulatore.

① | Normalmente questo indicatore dovrebbe avere una luce verde continua.

ⓑ Indicatore del livello di carica

- Verde lampeggiante – livello massimo di carica.
- Verde continuo – livello di carica normale.
- Arancione continuo – basso livello di carica.
- Rosso continuo – livello di carica molto basso.
- Rosso lampeggiante – accumulatore scarica.

① Normalmente questo indicatore dovrebbe avere una luce verde continua. **Se l'indicatore è arancione o rosso, spegnere dell'elettrofornatore di recinto elettrico per un certo tempo per caricare l'accumulatore in modo efficiente.**

L'elettrofornatore ⓐ

L'elettrofornatore per recinto elettrico genera impulsi elettrici brevi e ad alta tensione con un periodo di cica. un secondo. Questi impulsi sono condotti nei fili del recinto elettrico. Nel momento in cui un animale tocca il filo del recinto, il circuito elettrico si chiude attraverso la terra. La folgorazione subita non è pericolosa, ma ha un effetto molto spiacevole, gli animali che toccano i fili del recinto elettrico, impareranno molto rapidamente a tenere a distanza.

L'elettrofornatore d'impulsi si collega ai fili del recinto tramite il cavo azzurro. Questo cavo ha un isolamento speciale, quindi può toccare la scatola, i pali, gli alberi, ecc., può anche essere catturato a mani vuote senza elettrocuzione (ovviamente, eccetto l'estremità vuota del cavo). Questo cavo si collega saldamente (con un connettore) a uno dei fili del recinto elettrico poiché le file di fili del recinto elettrico devono essere interconnesse a distanze di almeno 100 metri, gli impulsi ad alta tensione raggiungeranno ogni fila di fili. Preferibilmente creare un'interconnessione delle file proprio nel punto di connessione con il cavo azzurro.

⚠ Evitare di manipolare le connessioni durante il funzionamento dell'elettrofornatore di recinto elettrico, specialmente con il cavo azzurro lasciato vuoto! Se un impulso ad alta tensione colpisce un circuito elettronico nelle vicinanze, li distrugge istantaneamente! Questo vale anche per altri dispositivi elettronici, come telefoni cellulari, orologi elettronici, fotocamere, ecc. – evitare con attenzione si avvicini questi dispositivi all'elettrofornatore di recinto elettrico, all'uscita di impulsi, o anche ai fili del recinto elettrico!

I LED sul dispositivo:

- Sinistra – dispositivo sotto tensione.
- Destra – normalmente spento, si accende rosso se la tensione di alimentazione scende di sotto a 10,5 V (accumulatore scarico). Questa situazione viene indicata anche dal regolatore di carica ⓐ attraverso il LED ⓑ (in questo caso spegnere il dispositivo per consentire la ricarica dell'accumulatore, o sostituire l'accumulatore con uno caricato).

Manutenzione e verifica

Anche se il sistema può funzionare autonomamente per mesi, o anche anni, sarà necessario una manutenzione regolare per evitare spiacevoli sorprese (come gli animali fuggiti) a causa di un accumulatore scarico, o cortocircuiti indesiderati dei fili di recinto causati dalla vegetazione.

Pulire periodicamente la superficie del pannello solare con un panno umido! I depositi di polvere, foglie, riducono significativamente la sua efficienza, che può causare una rapida scarica dell'accumulatore.

Evitare lo scarico dell'accumulatore di notte o in condizioni di tempo prevalentemente nuvoloso monitorando regolarmente le spie ⓐ e ⓑ sul regolatore ⓐ. Se il colore del LED ⓑ diventa arancione o rosso, spegnere temporaneamente il recinto elettrico per consentire la ricarica efficiente dell'accumulatore. Opzionalmente è possibile sostituire l'accumulatore con un accumulatore di ricambio per evitare che il sistema venga interrotto.

Controllare frequentemente l'intera recinzione elettrica e rimuovere la vegetazione che tocca i fili. I cortocircuiti dovuti alla crescita della vegetazione riducono significativamente l'efficienza del recinto elettrico.

Per un funzionamento efficiente del recinto elettrico, la tensione nei fili deve essere di almeno 2000 V. La misurazione della tensione è possibile solo con uno strumento di misura speciale (chiamato tester per recinto elettrico). Si consiglia vivamente di acquistare un tester di questo tipo. Non utilizzare un misuratore digitale o analogico, essi verranno distrutti istantaneamente al contatto con l'alta tensione!

Garanzia

Grazie per aver scelto questo sistema di recinto elettrico compatto! Offriamo una garanzia di **24 mesi** dalla data di emissione della fattura.

In caso di qualsiasi malfunzionamento durante il periodo di garanzia vi preghiamo di contattarci via e mail su **info@agroelectro.it**, o telefonicamente sul numero **+39 351 712 3775** al fine di risolvere il problema, o per discutere i dettagli del invio di prodotti difettosi.

La durata media dell'uso dei prodotti è di cinque anni. Per questo periodo, l'acquirente beneficia, a pagamento, del servizio post garanzia con parti originali.

La garanzia dei prodotti è concessa in conformità con le disposizioni di O.U.G. 21/1992 e la Legge 449/2003, modificata e successivamente integrata da O.U.G. 174/2008, O.U.G. 34/2014 e O.G. 9/2016. I diritti del consumatore non sono pregiudicati in alcun modo dalla garanzia offerta.

1. Condizioni di garanzia

1. In caso di richieste di riparazione in garanzia, l'acquirente è tenuto a presentare il presente certificato di garanzia, unitamente alla fattura/ricevuta originale di acquisto dei prodotti.
2. Il periodo di garanzia concesso dal produttore decorre dalla data di acquisto (data di emissione della fattura).
3. Il periodo di garanzia è esteso dal tempo di inattività del prodotto, trascorso dalla data della sua consegna per la riparazione fino alla data del suo ritorno alle condizioni di funzionamento e alla notifica scritta del consumatore in merito. L'estensione del periodo di garanzia sarà inclusa in questo certificato.
4. Il pagamento della spedizione per i prodotti inviati (andata e ritorno) al fine di risolvere la garanzia è a carico dell'acquirente, e la spedizione sarà effettuata dal corriere espresso.
5. Il produttore non è responsabile per danni causati al prodotto da fenomeni naturali (fulmini, inondazioni, terremoti, umidità), incendi, negligenza nel funzionamento, danni meccanici, ecc.
6. Danni come graffi o rotture di elementi rimovibili o non rimovibili che non sono stati portati a conoscenza del venditore al momento dell'acquisto non sono coperti dalla garanzia.

7. I danni causati durante la restituzione del prodotto a causa di un imballaggio improprio sono a carico dell'acquirente.

2. Perdita della garanzia

La garanzia dei prodotti è concessa solo se i prodotti sono utilizzati correttamente e sono soddisfatte determinate condizioni amministrative. La garanzia del prodotto è persa nei seguenti casi:

1. Mancata presentazione della ricevuta/fattura originale per l'acquisto del prodotto, accompagnata dal presente certificato di garanzia.
2. Uso del prodotto in un regime di lavoro diverso da quello per il quale è stato progettato:
 - Collegamenti elettrici errati o non raccomandati dal produttore.
 - Tensione di alimentazione impropria.
 - Cambiamenti nei circuiti elettronici.
3. Danni meccanici causati da incidenti, urti, vibrazioni, colpi o altre forme di azione meccanica.
4. Danni termici, a causa di incendi.
5. L'uso del prodotto in condizioni ambientali inappropriate – azioni di sostanze chimiche, sostanze nocive, fumo, polvere o umidità. Guasto del prodotto causato dagli agenti atmosferici.
6. Modifica o apertura del prodotto da parte di persone o aziende, non qualificate o non autorizzate. Le riparazioni improprie eseguite sul prodotto possono influire sulla sua sicurezza e causare danni irreparabili. Al fine di evitare queste situazioni, si consiglia di effettuare eventuali riparazioni/controlli esclusivamente presso Agro Electrosistems SRL.
7. L'accertamento del fatto (da parte degli Specialisti di Agro Electrosistems SRL) che il difetto dichiarato è causato dalla colpa dell'acquirente.

Aparat gard electric compact

DL 3200 – DL 4500 – DL 7200

Aparatul de gard electric compact este o soluție comodă și sigură, pentru electrificarea gardurilor electrice *temporare* sau *permanente*, în zonele unde nu există acces la rețeaua de 230 V.

Sistemul poate să funcționeze autonom chiar ani de zile, necesită intervenții minore, cum ar fi verificări legate de buna funcționare a acumulatorului, curățarea periodică a panoului solar și întreținerea traseului gardului electric.

Sistemul este complet asamblat într-o cutie metalică și conține toate elementele necesare pentru a funcționa independent de rețeaua electrică de 230 V. Beneficii:

- Cutie metalică robustă, rezistentă la umezeală (ploaie, zăpadă, stropi de apă). Cutia se poate închide.
- Cutia închisă este relativ ermetică, previne în mod efectiv pătrunderea insectelor și a animalelor mici care pot deteriora aparatura electrică prin scurtcircuite.
- În partea exterioară, sistemul este prevăzut cu un comutator, ascuns sub panoul solar, prin care se poate porni/opri cu ușurință aparatul de gard electric, fără să fie nevoie de deschiderea cutiei.
- Reîncărcarea acumulatorului este asigurat de panoul solar în mod continuu.
- Protecție la supratensiune – deconectarea accidentală a acumulatorului în vreme de soare plin poate cauza creșterea tensiunii generate de panoul solar, ceea ce poate deteriora aparatul de gard electric. Cutia include un circuit electronic adițional care protejează împotriva acestui accident.
- Mutarea sistemului (în scopul mutării gardului electric temporar) este foarte ușoară, reasamblarea într-un alt loc este foarte simplă.

Specificații

Tip aparat	DL 3200	DL 4500	DL 7200
Tensiunea de alimentare		12 V \equiv	
Consum	110 mA	170 mA	300 mA
Tensiunea max. la sarcină de 500 Ω	7600 V	8900 V	9700 V
Lungime max. împrejmuire practică	7000 m	12000 m	25000 m
Energie maximă stocată	4,16 J	5,85 J	9,36 J
Energie maximă impuls	3,2 J	4,5 J	7,2 J
Grad de protecție		IPX4	
Greutate	23,6 kg	23,8 kg	25,65 kg

Elementele sistemului

Identificați elementele sistemului pe Fig. A, după cum urmează:

① – Aparat de gard electric, ② – Regulator de încărcare, ③ – Protecție supratensiune, ④ – Acumulator (neinclus în pachet), ⑤ – Panou solar, ⑥ – Cablu conexiune gard electric, ⑦ – Cablu împământare, ⑧ – Indicator de încărcare, ⑨ – Indicator nivel încărcare, ⑩ – Clemă pol pozitiv acumulator, ⑪ – Clemă pol negativ acumulator, ⑫ – Comutator pornit/oprit aparat gard electric, ⑬ – Yală cutie metalică.

Instalare

Cutia se montează într-un loc ferit de umbră, în apropierea gardului electric, pe doi stâlpi din lemn, astfel încât panoul solar ⑤ să fie orientat spre sud. După montare deschideți panoul solar și fixați la 45 grade cu șuruburile incluse. Creați împământarea, legați cablul de împământare ⑦ la aceasta, după care legați cablul albastru ⑥ la firele gardului electric printr-un conector.

Împământarea ⑦

Pentru o funcționare corectă, sistemul are nevoie de o împământare bună – deoarece la atingerea firelor gardului, circuitul electric se închide prin pământ, calitatea împământării este la fel de importantă ca și calitatea celorlalte componente din sistem! Pentru împământare

utilizați o bară metalică galvanizată cu lungimea de cel puțin 1 m (atenție, neinclus în pachet), pe care o introduceți în pământ. O bară metalică filetată M12 este ideală pentru acest scop, deoarece cabul de împământare ⑦ a sistemului poate fi conectat cu ușurință.

În cazul gardurilor electrice lungi (peste câțiva kilometri), sau dacă solul este preponderent uscat, creați mai multe împământări interconectate, așezate la câțiva metri distanță, în scopul îmbunătățirii eficienței gardului electric.

A nu se conecta împământarea sistemului în nici un caz la o împământare deja existentă – de exemplu la împământarea rețelei electrice de 230 V. În mod obligatoriu creați o împământare locală, în imediata vecinătate a sistemului.

Acumulatorul ④

Pentru stocarea energiei utilizați un acumulator de 12 V (acumulator auto cu acid, sau de tip gel) ④. Atenție, acumulatorul nu este inclus în pachet! Nu utilizați acumulatori de tip Ni-MH, sau Li-ion!

Utilizați un acumulator cu capacitatea de cel puțin 45 Ah. Capacitatea maximă este determinată de dimensiunea care încapă în cutia metalică a sistemului.

Acumulatorul se conectează cu clemele ③ și ④.

- Clema roșie = borna pozitivă (+) de la acumulator.
- Clema neagră = borna negativă (–) de la acumulator.

Pornirea sistemului

Înainte de toate verificați poziția comutatorului pornit/oprit ⑤. Aceasta trebuie să fie în poziția OFF.

Pasul 1: conectați acumulatorul prin clemele ③ și ④. Atenție: cablurile de alimentare să nu se atingă în nici un caz de ieșirea de înaltă tensiune ⚡ a aparatului de gard electric ①!

Pasul 2: verificați luminile indicatoare ale regulatorului pentru a constata starea de încărcare a acumulatorului (consultați paragraful "Regulatorul de încărcare" mai jos). Ambele LEDuri ⑥ și ⑦ trebuie să lumineze în continuu verde.

Pasul 3: porniți aparatul de gard electric prin mutarea comutatorului ⑤ în poziția ON. Funcționarea aparatului se poate urmări după sunet: trebuie să auziți sunete de descărcare electrică aproximativ în fiecare secundă.

Oprirea sistemului

Pentru a opri generatorul de impulsuri (aparatul de gard electric) mutați comutatorul ⑤ în poziția OFF.

Pentru a opri sistemul de tot, nu ajunge mutarea comutatorului ⑤ în poziția OFF, deoarece panoul solar generează în continuu electricitate, ceea ce lasă în funcțiune toate circuitele electronice aflate în interiorul cutiei.

În scopul mutării sau a depozitării sistemului parcurgeți pașii de mai jos:

- Asigurați-vă că poziția comutatorului ⑤ se află la OFF.
- Acoperiți panoul solar cu un material care blochează eficient lumina (carton, sac nailon negru), pentru a opri producerea electricității.
- Deconectați acumulatorul, apoi scoateți-l din cutia metalică pentru a preveni ruperea circuitelor electronice și coroziunile cauzate de curgerea acidului din acumulator.

Regulatorul de încărcare ②

Regulatorul asigură stabilizarea tensiunii variabile produse de panoul solar, protejează împotriva polarității inverse și controlează încărcarea corectă a acumulatorului.

Regulatorul are două LEDuri indicatoare importante ⑥ și ⑦ care oferă informații despre starea acumulatorului:

⑥ Indicator de încărcare

- Stins – Nu se încarcă.
- Verde, continuu – Încărcare acumulator.
- Verde intermitent lent – Menținere acumulator în stare încărcată.
- Verde intermitent rapid – Desulfatare (recondiționare) acumulator.

① În mod normal acest indicator trebuie să aibă lumină verde continuă.

ⓑ Indicator nivel de încărcare

- Verde intermitent – Nivel de încărcare maxim.
- Verde continuu – Nivel de încărcare normal.
- Portocaliu continuu – Nivel de încărcare scăzut.
- Roșu continuu – Nivel de încărcare foarte scăzut.
- Roșu intermitent – Acumulator descărcat.

ⓘ În mod normal acest indicator trebuie să aibă lumină verde continuă. **În cazul în care indicatorul are o culoare portocalie sau roșie, pentru un anumit timp opriți aparatul de gard electric în vederea încărcării eficiente a acumulatorului.**

Aparatul de gard electric ①

Aparatul de gard electric generează impulsuri electrice scurte, de înaltă tensiune, cu o perioadă de cca. o secundă. Aceste impulsuri sunt conduse în firele gardului electric. În momentul în care un animal atinge firul gardului, circuitul electric se închide prin pământ. Electrocutarea suferită nu este periculoasă, dar are un efect extrem de neplăcut, animalele care se ating de firele gardului electric, vor învăța foarte repede să stea la distanță.

Generatorul de impulsuri se conectează la firele gardului prin cablu albastru. Acest cablu are o izolație specială, așadar poate să se atingă de cutie, stâlpi, copaci, etc., chiar se poate prinde cu mâna goală fără a electrocuta (bineînțeles prezintă excepție capătul gol al cablului). Acest cablu se conectează ferm (cu un conector) la unul dintre firele gardului electric (deoarece rândurile de fire ale gardului electric trebuie interconectate la distanțe de cel puțin 100 metri, impulsurile de înaltă tensiune vor ajunge în fiecare rând de fire). De preferință creați o interconectare a rândurilor chiar în locul conexiunii cu cablul albastru.

⚠ Evitați manipularea conexiunilor în timpul funcționării aparatului de gard electric, în special cu cablul albastru lăsat gol! Dacă un impuls de înaltă tensiune se atinge de un circuit electronic din vecinătate, le distruge instantaneu! Acest lucru este valabil și pentru alte dispozitive electronice, cum ar fi telefon mobil, ceas electronic, aparat foto, etc. – evitați cu mare atenție apropierea acestor dispozitive de aparatul de gard electric, de ieșirea de impulsuri, sau chiar de firele gardului electric!

LEDuri pe aparat

- Stânga – aparat sub tensiune.
- Dreapta – în mod normal stins, se aprinde roșu dacă tensiunea de alimentare scade sub 10,5 V (acumulator descărcat). Această situație este indicată și de regulatorul de încărcare ② prin LEDul ⑤ (în acest caz opriți aparatul pentru a permite reîncărcarea acumulatorului, sau preschimbați acumulatorul cu unul încărcat).

Întreținere și verificare

Deși sistemul poate să funcționeze autonom luni, sau chiar ani de zile, veți avea nevoie de întreținerea periodică pentru a evita surprizele neplăcute (cum ar fi animale evadate), din cauza unui acumulator descărcat, sau scurtcircuite nedorite ale firelor gardului, cauzate de vegetație.

Curățați periodic suprafața panoului solar cu o cârpă umedă! Depunerile de praf, frunze, reduc semnificativ eficiența acestuia, ceea ce poate cauza descărcarea rapidă a acumulatorului.

Evitați descărcarea acumulatorului pe timp de noapte sau în vreme preponderent înnoată prin monitorizarea periodică a luminilor indicatoare ④ și ⑤ de pe regulator ②. Dacă se schimbă culoarea LEDului ③ în portocaliu sau în roșu, opriți temporar aparatul de gard electric pentru a permite reîncărcarea eficientă a acumulatorului. Opțional se poate înlocui acumulatorul cu unul ținut de rezervă, pentru a preveni întreruperea funcționării sistemului.

Verificați frecvent întregul gard electric și eliminați vegetația care se atinge de firele acestuia. Scurtcircuitele datorite creșterii vegetației reduc semnificativ eficiența gardului electric.

Pentru o funcționare eficientă a gardului electric, tensiunea în fire trebuie să aibă cel puțin 2000 V. Măsurarea tensiunii este posibilă doar cu un instrument de măsură special (numit tester pentru gard electric). Vă recomandăm cu tărie procurarea unui astfel de tester. NU utilizați aparate de măsură digitale sau analogice, acestea se vor distruge instantaneu la contactul cu tensiunea înaltă!

Garanție

Vă mulțumim că ați ales acest sistem de gard electric compact! Acordăm o garanție de **24 luni** începând cu data emiterii facturii.

În cazul apariției oricărei defecțiuni în perioada de garanție vă rugăm să ne contactați prin e-mail la **office@agroelectro.ro**, sau telefonic pe numărul **+40 724 776 515** în vederea remedierii problemei, sau pentru a discuta detaliile de returnare a produselor defecte.

Durata medie de utilizare a ansamblului este de cinci ani. Pentru această perioadă cumpărătorul beneficiază, contra cost, de service post garanție, cu piese originale.

Garanția produselor este acordată în conformitate cu prevederile O.G. 21/1992 și cu Legea 449/2003, modificată și completată ulterior cu O.U.G. 174/2008, O.U.G. 34/2014 și O.G. 9/2016. Drepturile consumatorului nu sunt afectate în niciun fel prin garanția oferită.

1. Condiții de garanție

1. În cazul solicitărilor de reparații în garanție, cumpărătorul este obligat să prezinte acest certificat de garanție, împreună cu factura/chitanța originală de cumpărare a produselor.
2. Perioada de garanție acordată de fabricant decurge de la data cumpărării (data emiterii facturii).
3. Perioada de garanție se prelungește cu timpul de nefuncționare a produsului, scurs de la data predării acestuia pentru reparare și până la data repunerii în stare de funcționare și a notificării în scris a consumatorului despre acest lucru. Prelungirea termenului de garanție se va înscrie în prezentul certificat.
4. Plata transportului pentru produsele trimise (tur-retur) în vederea soluționării garanției revine în responsabilitatea cumpărătorului, iar expedierea se va face prin intermediul curierului rapid.
5. Producătorul nu este răspunzător de daunele provocate produsului de către fenomenele naturale (trăsnet, inundații, cutremur, umiditate), incendii, neglijență în exploatare, deteriorări mecanice, etc.

6. Deteriorările de genul zgârieturi sau rupturi ale elementelor demontabile sau nedemontabile care nu au fost aduse la cunoștința vânzătorului în momentul achiziționării nu sunt acoperite de garanție.

7. Deteriorările cauzate în timpul returnării produsului, datorite împachetării neadecvate, cad în responsabilitatea cumpărătorului.

2. Pierderea garanției

Garanția produselor se acordă doar în condițiile în care produsele sunt utilizate în mod corespunzător, de asemenea dacă sunt satisfăcute anumite condiții administrative. Garanția produselor se pierde în următoarele cazuri:

1. Neprezentarea chitanței/facturii originale de cumpărare a produsului, însoțită de prezentul certificat de garanție.
2. Utilizarea produsului în alt regim de lucru decât cel pentru care a fost conceput:
 - Conexiuni electrice greșite, sau nerecomandate de producător.
 - Tensiune de alimentare necorespunzătoare.
 - Modificări ale circuitelor electronice.
3. Modificări mecanice necorespunzătoare.
4. Deteriorări mecanice cauzate de accidente, șocuri, vibrații, lovituri sau alte forme de acțiuni mecanice.
5. Deteriorări termice, datorită incendiilor.
6. Utilizarea produsului în condiții de mediu necorespunzătoare – acțiunea substanțelor chimice, noxe, fum, praf sau umiditate. Defectarea produsului cauzată de intemperii.
7. Modificarea sau desigilarea produsului de către persoane sau firme, necalificate sau neautorizate. Reparațiile necorespunzătoare efectuate asupra produsului pot afecta securitatea acestuia și pot produce defecțiuni iremediabile. Pentru a evita aceste situații vă recomandăm efectuarea oricărei reparații/verificări în exclusivitate la firma Agro Electrosistems SRL.
8. Constatarea faptului (de către specialiștii firmei Agro Electrosistems SRL) că defectul reclamat este cauzat din vina cumpărătorului.

Kompakt villanypásztor készülék, DL 3200 – DL 4500 – DL 7200

A kompakt villanypásztor készülék kényelmes és biztos megoldás *ideiglenes*, vagy *permanens* kerítések villamosítására, olyan helyeken, ahol nincs lehetőség a 230 V-os hálózatra csatlakozni.

A rendszer teljesen önfenntartó, hónapokon, akár éveken keresztül képes működni, csupán kis, időszakos karbantartásra szorul, mint pl. az akkumulátor állapotának ellenőrzése, a napelemes panel letakarítása, vagy pedig a növényzet megtisztítása a villanypásztor vezetékai körül.

A rendszer egy fémszekrénybe van szerelve és tartalmaz minden olyan elemet, ami a 230 V-os hálózattól független működéséhez szükséges. Előnyei:

- Merev, tartós fémszekrény, ami a nedvességgel szemben (vízcseppek, eső, hó) védett helyen tartja az elektronikus áramköröket. A fémszekrény zárható.
- A fémszekrény relatív hermetikusan zár, így hatékonyan megakadályozza a rovarok és a kis állatok behatolását, amelyek rövidzárlat okozásával tönkreteszhetik a rendszert.
- A szekrény külsején a napelemes panel alá rejtve kapcsoló található, amellyel a villanypásztor készülék beindítható/leállítható a szekrény kinyitása nélkül.
- Az akkumulátor töltését folyamatosan biztosítja a napelemes panel.
- Túlfeszültség elleni védelem – az akkumulátor véletlenszerű lecsatolása napos időben túlfeszültség megjelenését okozhatja, ami a villanypásztor készülék meghibásodását vonja maga után. A rendszer tartalmaz egy külön áramkört, ami a túlfeszültség megjelenése esetén lekapcsolja a villanypásztor készülék táplálását.
- A rendszer költöztetése (az ideiglenes villanypásztor kerítés mozgatását követően) könnyedén kivitelezhető, egy újabb helyen való üzembe állítása igencsak egyszerű.

Paraméterek

Készülék típusa	DL 3200	DL 4500	DL 7200
Tápfeszültség		12 V =	
Fogyasztás	110 mA	170 mA	300 mA
Maximális kimenő feszültség 500 Ω terhelés alatt	7600 V	8900 V	9700 V
Maximális gyakorlati kerítéshossz	7000 m	12000 m	25000 m
Maximális tárolt energia	4,16 J	5,85 J	9,36 J
Maximális impulzus energia	3,2 J	4,5 J	7,2 J
Nedvességvédelem		IPX4	
Súly	23,6 kg	23,8 kg	25,65 kg

A rendszer elemei

A rendszer elemeit az A ábrán azonosíthatja:

- ① – Villanypásztor készülék, ② – Töltésvezérlő, ③ – Túlfeszültségvédelem, ④ – 12 V-os akkumulátor (a csomag nem tartalmazza), ⑤ – Napelemes panel, ⑥ – Kerítés-csatlakozás, ⑦ – Földelés-csatlakozás, ⑧ – Töltés LED, ⑨ – Töltésszint LED, ⑩ – Akkumulátor-csatlakozás, pozitív pólus, ⑪ – Akkumulátor-csatlakozás, negatív pólus, ⑫ – Villanypásztor készülék ki-be kapcsoló, ⑬ – Fémszekrény-zárak.

Üzembe helyezés

A rendszert a kerítés közelében kell felszerelni, két faoszlopra, úgy, hogy a napelemes panel **dél irányába** mutasson és a nap teljes időtartamában ne vetüljön rá árnyék. A rögzítést követően **nyissa fel a napelemes panelt ⑤** és rögzítse 45 fokban a mellékelt csavarokkal. Hozza létre a földelést, majd kösse rá a földelés-vezetékét ⑦, ezt követően kösse a kék kábelt ⑥ a villanypásztor kerítés vezetékéhez.

A földelés ⑦

A helyes működéshez a rendszernek szüksége van egy jó földelésre – a villanypástor működésének szerves része a földelés, mivel a vezeték érintése során az áramkör a földön keresztül zárul, ezért a földelés minősége épp annyira fontos, mint a villanypástor kerítés többi része. A földelés elkészítéséhez használjon egy hosszú, legalább 1 m-es fémrudat (vigyázat, a csomag nem tartalmazza), amit a földbe sulykol. Egy M12-es menetelt, galvanizált fémrúd a legcélszerűbb választás, mivel a földelés vezeték ⑦ ehhez csatlakoztatható a legkönnyebben.

A hosszú (több kilométeres) kerítések esetében, vagy pedig ha a föld túlnyomó részt száraz jellegű, hozzon létre több, egymástól pár méterre elhelyezett földelést a rendszer hatékonyságának növelése érdekében.

Semmiképp se kösse a rendszer földelését egy már meglévő rendszerre – pl. a 230 V-os hálózat földelésére! Szigorúan különálló földelést kell létrehozni a villanypástor rendszernek.

Az akkumulátor ④

A begyűjtött energia tárolására használjon egy 12 V-os akkumulátort (savas, vagy zselés típusú) ④. Vigyázat, az akkumulátort nem tartalmazza a csomag! Továbbá, ne használjon más típusú akkumulátort, mint pl. Li-Ion (lítiumos), vagy Ni-MH (nikkel-metál-hidrid)!

Szerezzen be egy min. 45 Ah-ás kapacitással rendelkező akkumulátort. A maximális teljesítmény nincs korlátozva, csupán arra kell figyelnie, hogy az akkumulátor férjen be a fémszekrénybe.

Az akkumulátort a ③ és ① csipeszekkel kell csatlakoztatni.

- Piros csipesz = pozitív pólus (+)
- Fekete csipesz = negatív pólus (—)

A rendszer beindítása

Mindenekelőtt ellenőrizze az ③ kapcsoló állását. Ez az OFF állásban kell legyen. Első lépésben csatlakoztassa az akkumulátort a ③ és ① csipeszekkel. Gondosan ügyeljen a csatlakoztatás során arra, hogy a tápvezetékek egyike se érintse a villanypástor készülék ④ magasfeszültségű (⚡) kimenetét!

Második lépésben ellenőrizze a töltésvezérlő LED-jeit a rendszer helyes működésének megállapítására (tanulmányozza a "A töltésvezérlő" című fejezetet alább). Mindkét LED (A és B) folyamatosan zölden kell világítson.

Utolsó lépésben indítsa be a villanypástor készüléket az ③ kapcsoló ON állásba való fordításával. A készülék működése hang alapján is megállapítható: körülbelül másodpercenként kattogó hangot kell kiadjon.

A rendszer leállítása

A villanypástor készülék leállításához fordítsa az ③ kapcsolót OFF állásba.

A rendszer teljes leállításához ez viszont nem elég, mivel a napelemes panel folyamatosan generálja az elektromosságot, ami működésben tartja a rendszert alkotó elektronikus áramköröket.

A rendszer költöztetése, vagy raktározása esetén a következőképpen járjon el:

- Ellenőrizze az ③ kapcsoló állását, ez az OFF pozícióban kell álljon.
- Takarja le a napelemes panel felületét egy fényzáró anyaggal (pl. kartonpapír), vagy pedig húzzon rá egy fekete nejlonzsákot, az elektromos áram fejlesztésének leállítása céljából.
- Csatlakoztassa le az akkumulátort, majd távolítsa el a szekrényből, ahhoz, hogy megakadályozza az elektromos áramkörök törését szállítás közben, és hogy elkerülje az akkumulátorsav által okozott korróziót.

A töltésvezérlő ②

A töltésvezérlő biztosítja a napelemből származó, változó feszültség stabilizálását, véd a fordított polaritás ellen, és kontroll alatt tartja az akkumulátor töltését.

A töltésvezérlőn két fontos LED található A és B, ezek fontos információkat közölnek az akkumulátor állapotáról:

A Töltés

- Sötét – Nincs töltés.
- Folyamatos zöld – Töltés.

- Lassan villogó zöld – Az akkumulátor teljesen feltöltött állapotban való tartása.
- Gyorsan villogó zöld – Az akkumulátor szulfátmentesítése (karbantartása).

① | Normál állapotban ez a LED zölden kell világítson.

ⓑ Töltöttségi szint

- Villogó zöld – Maximális töltöttségi szint.
- Folyamatos zöld – Normál töltöttségi szint.
- Folyamatos narancssárga – Alacsony töltöttségi szint.
- Folyamatos piros – Nagyon alacsony töltöttségi szint.
- Villogó piros – Lemerült akkumulátor.

① | Normál állapotban ez a LED zölden kell világítson. **Ha a színe narancssárgára, vagy pirosra vált, egy időre kapcsolja ki a világítást és csatlakoztassa le a fogyasztókat az akkumulátor hatékony újratöltéséhez.**

A villanypásztor készülék ①

A villanypásztor készülék rövid, kb. másodperces periódusú, magasfeszültségű impulzusokat generál, amiket a kerítés vezetékébe vezetünk. A magasfeszültségű vezeték érintése során az elektromos áramkör a földön keresztül zárul. Az áramütés az egészségre ugyan nem káros, de rendkívül kellemetlen érzéssel és félelemkeltéssel társul, így az állatok rövid időn belül megtanulják a kerítéstől való tisztes távolságtartást.

A készüléket a kék kábel által kell a kerítéshez csatlakoztatni. Ennek a kábelnek speciális magasfeszültségű szigetelése van, ezáltal hozzáférhet a fémsekrényhez, oszlopokhoz, fákhoz, stb., sőt, akár kézzel is megfogható az áramütés veszélye nélkül (nyilván kivételt képez a kábel csupasz vége). A kábelt a kerítés egyik vezetékére kell kötni (mivel a kerítés vezetékét kb. 100 méterenként össze kell hidalni, a magasfeszültség mindegyik vezetékben jelen lesz). Ajánlott összehidálni a kerítés vezetékét épp a magasfeszültségű csatlakozás pontján.

⚠ | Semmiképp se mozgassa, módosítsa a sekrényben lévő elektromos csatlakozásokat a villanypásztor készülék működése közben, főleg ha a magasfeszültségű (kék) kábel szabadon van hagyva! Ha bármilyen elektromos áramkör magasfeszültségű

impulzust kap, azonnal meghibásodik! Ez érvényes minden más elektromos készülékre is, mint pl. mobiltelefon, elektromos karóra, fényképezőgép, stb. – gondosan kerülje ezeknek a magasfeszültségű kimenetnek, vagy a villanypásztor vezetékéhez való közelítését!

A villanypásztor készüléken lévő LED-ek:

- Bal oldali LED – A készülék betáplálását jelzi.
- Jobb oldali LED – normál körülmények között sötét, akkor világít pirosan, ha a készülék tápfeszültsége 10,5 V alá esik (lemerült az akkumulátor). Ezt az állapotot a töltésvezérlő ② is jelzi, a ③ LED által (ebben az esetben állítsa le a készüléket az akkumulátor újratöltéséhez, vagy pedig cserélje ki az akkumulátort egy feltöltöttel).

Karbantartás

Habár a rendszer hónapokig, akár évekig önműködő, időnként karbantartásra és ellenőrzésekre van szükség, ahhoz, hogy a kellemetlen meglepetéseket elkerülje (pl. elszókött állatok), amiket a különféle faktorok okozhatnak, mint pl. lemerült akkumulátor, a növények által okozott rövidzárlatok a kerítésen, stb.

Időközönként takarítsa le a napelemes panel felületét egy nedves textíliával. A napelem felületére rakódott por, falevelek, állati eredetű szennyeződések jelentősen csökkentik a rendszer hatékonyságát, ami az akkumulátor idő előtti lemerüléséhez vezethet!

Előzze meg az akkumulátor éjszakai, vagy pedig túlnyomó részt felhős időben való lemerülését, azáltal, hogy időnként ellenőrzi a töltésvezérlő ② ① és ③ jelzéseit. Ha a töltésvezérlő ③ LED-je narancssárgára, vagy pirosra vált, állítsa le egy időre a villanypásztor készüléket az akkumulátor hatékony újratöltéséhez, vagy pedig cserélje le az akkumulátort egy feltöltött pótakkumulátorral a rendszer megszakítatlan működése érdekében.

Időnként járja körbe a villanypásztor kerítést és távolítsa el a ránőtt növényzetet. A vezetékekkel érintkező növényzet által kialakuló rövidzárlatok jelentősen csökkentik a rendszer hatékonyságát.

A helyes működéshez a villanypásztor kerítés vezetékéiben legalább 2000 V feszültség kell legyen. A feszültség mérése csakis külön erre a célra kialakított villanypásztor-teszterrel lehetséges. Mindenképpen

ajánljuk egy ilyen teszter beszerzését. A hagyományos digitális, vagy analóg mérőműszerekkel NEM mérhető a magasfeszültség, ezek azonnal meghibásodnak az első próbálkozás alkalmával.

Garancia

Köszönjük, hogy a jelen kompakt villanypásztor készüléket választotta kínálatunkból! A számla kiállításának dátumától számítva **24 hónap** garanciát vállalunk a rendszer elemeinek működésére.

A felmerülő technikai, illetve működésbeli problémákkal kapcsolatosan kérjük, vegye fel a kapcsolatot velünk az **info@agroelectro.hu** e-mail címen, vagy pedig a **+36 20 984 8038** telefonszámon, a problémaelhárítást tekintve, vagy pedig a termék visszaküldésével kapcsolatos információkért.

A termékek átlagos használati időtartama 5 év. Ez idő alatt a vásárló a hivatalos garanciális időszakon kívül, térítés ellenében, szakszerű, eredeti cserealkatrészekkel való javítást vehet igénybe.

A garanciafeltételeket a cégünk üzletpolitikája és a Román állam törvénykezési szabályozásai határozzák meg, az alábbi törvények és sürgősségi kormányrendeletek alapján: O.G. 21/1992, a 449/2003 törvény szerint, módosítva az O.U.G. 174/2008, O.U.G. 34/2014 és O.G. 9/2016 által. A vásárló jogait nem módosítják a garanciafeltételek.

1. Garanciafeltételek

1. A garanciális javítások esetében a vásárló köteles felmutatni a jótállási bizonyítványt és az eredeti vásárlási bizonyítványt (pl. számla, nyugta).
2. A jótállási időszak a számla kiállításának időpontjával kezdődik.
3. A garancia időszaka meghosszabbodik a termék visszaküldésének dátumától számítva a cégünk által írásba foglalt javítás/csere dátumáig. A garancia időszakának meghosszabbítása belekerül a jelen garancia-bizonylatba.
4. A termékek visszaküldésének és visszaszolgáltatásának postaköltségét a vásárlónak kell fizetnie. A szállítás minden esetben gyorspostai szolgálattal történik.
5. A gyártó nem vonható felelősségre a természeti csapások által okozott károkért (villámcsapások, áradások, földrengések, víz

okozta károk, tüzek), felelőtlen felhasználás és baleset általi működésképtelenségek miatt.

6. A különféle elemek baleset/törés általi meghibásodása, amely nem volt leközölve cégünknek a termék átvételekor, semmisnek nyilvánul a garanciális feltételekben.
7. A termék visszaküldése során elszenvedett meghibásodások, károk nem számítanak bele a garanciális feltételekbe, ha a vásárló anyagul csomagolta a visszaküldendő terméket.

2. A garancia elvesztése

A garanciális feltételek csakis akkor érvényesek, ha a termékek rendeltetészerűen vannak használva, továbbá, bizonyos adminisztratív feltételek rendben vannak. A garanciához való jog elvesztődik, ha az alábbi feltételek nem teljesülnek:

1. A termék beszerzésének számlája/nyugtája nem mutatható fel a jelen garancia-bizonylattal.
2. A termék felhasználása nem történt teljesen rendeltetészerűen, az alábbiak szerint:
 - Hibás, vagy nem javasolt elektronikai kötések.
 - Nem megfelelő tápfeszültség alkalmazása.
 - Az elektronikus áramkörök módosítása.
3. A termék meghibásodása mechanikai behatások által jött létre: esés, törés, vibrációk, ütések, stb.
4. Hőterhelések – pl. tűzvész, vagy más hőmérséklet-jellegű természeti csapások.
5. A termék nem lett megfelelő környezetben üzembe helyezve – extrém vegyi anyagok általi korróziók, extrém füst-, vagy nedvességátások.
6. A termékek módosítása, vagy javítása nem az erre felhatalmazott személyek/cégek által történt. A nem megfelelő módosítások/javítások visszavonhatatlan károkat okozhatnak a készülékekben ezért feltétlenül javasoljuk a hibaelhárítási folyamatokat az Agro Electrosistems Kft.-re bízni.
7. Az Agro Electrosistems Kft. szakemberei szerint a készülék(ek) meghibásodása a felhasználó hibájából történt.